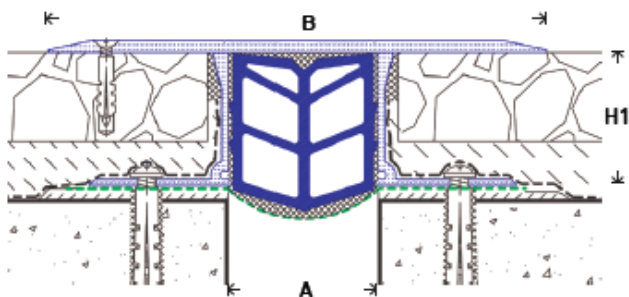
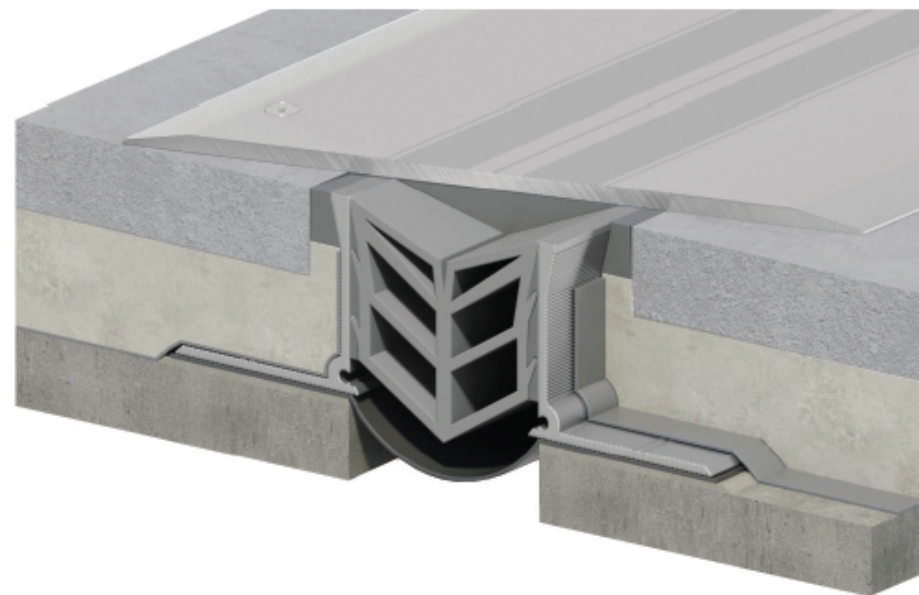


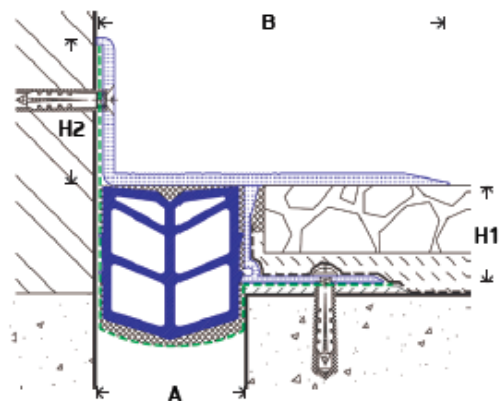
Type 3R-WTS

Use: Roof cover system for installation on accessible roofs before finish materials. Assembly bears sealing insert (SIP) that can be continuous from vertical joint and EPDM membrane that can be incorporated with slab sealing membrane ensuring perfect waterproofing. Removable aluminium cover-plate protects insert from mechanical wear.

- Material:**
- Non-visible frames made of mill finish aluminium alloy 60.63-T5.
 - Replaceable visible cover plates made of clear-anodised aluminium alloy 60.63-T5, available with striated or smooth surface.
 - Replaceable, non-visible sealing inserts made of UV-PVC or Santoprene TPV.
 - Non-reinforced EPDM membrane.



3R-WTS



3R-WTS/C

TYPE	"A"	"B"	"H1"	"H2"	Total Movement
3R-WTS 10/15	10-15	117	33, 45	-	20
3R-WTS 15/20	15-20	117	33, 45	-	30
3R-WTS 25/30	25-30	117	33, 45	-	40
3R-WTS 30/40	30-40	117	33, 45	-	50
3R-WTS 40/50	40-50	167	33, 45	-	65
3R-WTS 60/80	60-80	167	33, 45	-	100
3R-WTS 80/100	80-100	219	33, 45	-	120
3R-WTS/C 10/15	10-15	67	33, 45	50	20
3R-WTS/C 15/20	15-20	67	33, 45	50	30
3R-WTS/C 25/30	25-30	67	33, 45	50	40
3R-WTS/C 30/40	30-40	67	33, 45	50	50
3R-WTS/C 40/50	40-50	117	33, 45	50	65
3R-WTS/C 60/80	60-80	117	33, 45	50	100
3R-WTS/C 80/100	80-100	169	33, 45	50	120

Dimensions in mm